



**TCPSS-IN
TCPPS-IN
TCPSS-CI**

CHUGGER PUMPS

<http://www.chuggerpumps.com>

5044 Industrial Rd. Suite C

Farmingdale, NJ 07727

P: 800-810-1053 E: info@chuggerpumps.com

Chugger Pump is a booster pump designed to transfer hot and cold liquids. It is not a self-priming pump.

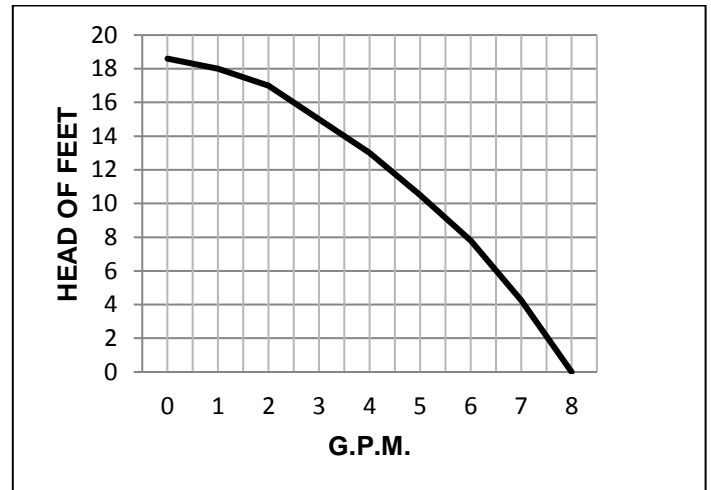
DO NOT RUN DRY!

Chugger Mini Max Pumps:

The CHUGGER PUMP Mini MAX Series Home Brew Pumps are TEFC (Totally Enclosed Fan Cooled) motors rated at 1/8 HP (.125 HP) and feature Stainless Steel FDA Compliant Materials as well as a Polysulfone option.

Our Inline pumps have 1/2" x 1/2" MPT connections, Center Inlet models have 3/4" x 1/2" MPT connections. These pumps are capable of transferring 7 GPM with a Max Head of 18.6 Feet.

Components are UL recognized and you can easily toggle between 115V and 230V to meet your exact specifications. Comes with a 55" cord, no plug.



Limited Warranty:

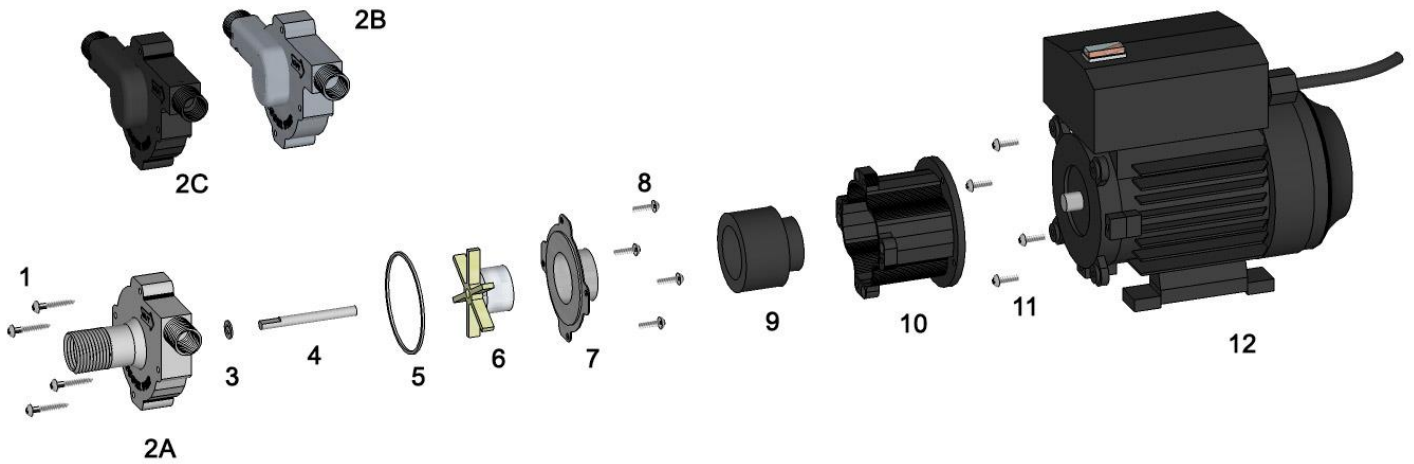
Chugger Pumps are warranted only against defects in workmanship for a period of 6 months from the date of purchase. **DO NOT RUN THE PUMP DRY**, it will not be covered under warranty.

A squealing sound is a warning you are running the pump with no fluid. Power off immediately! Do not plumb inlet tubing of connections with less than 1/2" full port fittings. This will result in cavitation and problems with your pump.

GENERAL SPECIFICATIONS

MODEL	MATERIAL	FLOW	HEAD	CONNECTIONS	VOLTAGE	HP	HZ	MAX TEMP
TCPPS-IN	Polysulfone	7 GPM	18 ft.	1/2" x 1/2" MPT	115/230	1/8	50/60	250°F
TCPSS-IN	Stainless Steel	7 GPM	18 ft.	1/2" x 1/2" MPT	115/230	1/8	50/60	250°F
TCPSS-CI	Stainless Steel	7 GPM	18 ft.	3/4" x 1/2" MPT	115/230	1/8	50/60	250°F

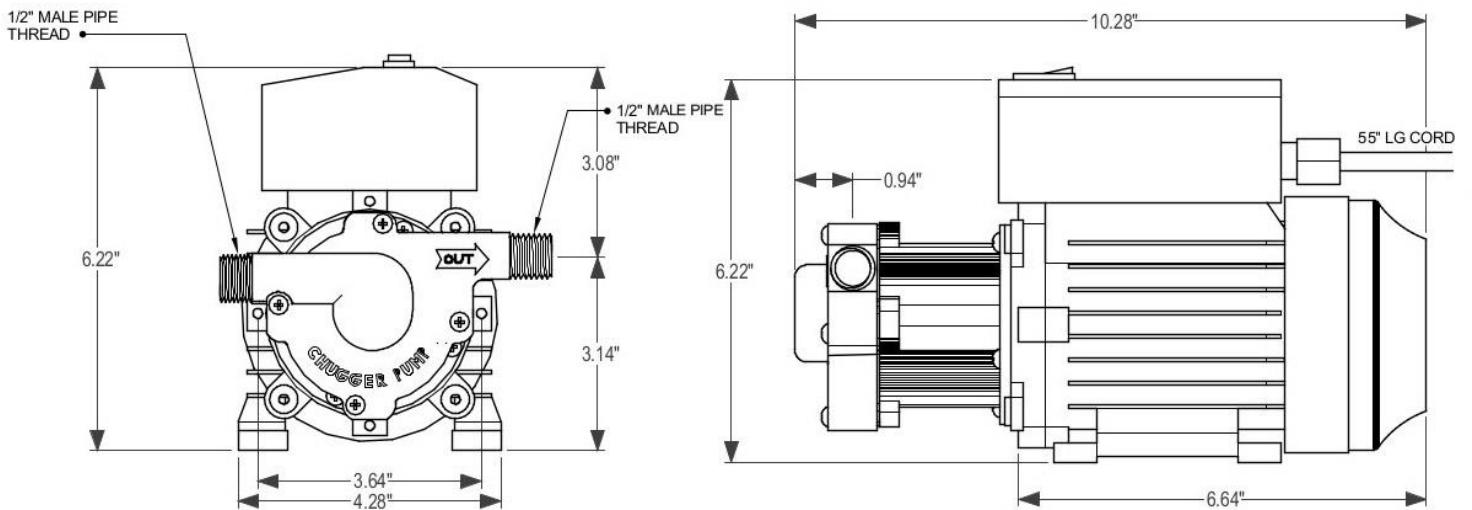
PARTS LIST



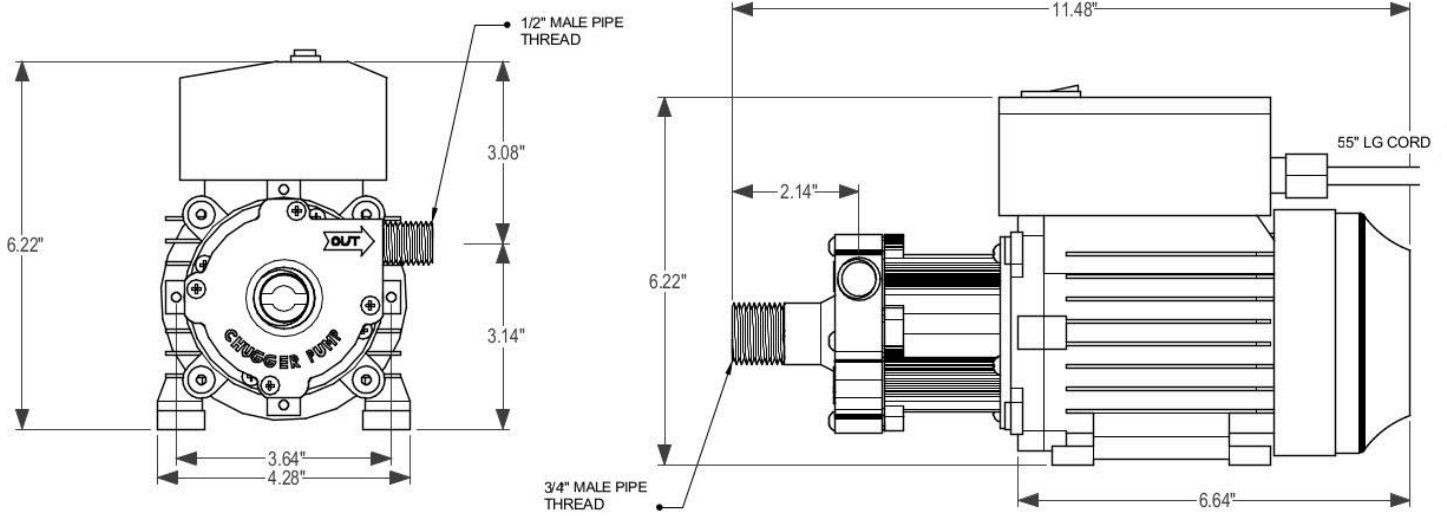
ITEM	PART NUMBER	DESCRIPTION
1	CP-21	Housing Screw (4)
2A	CP-22-CI	Stainless Steel Head (Center)
2B	CP-22-IN	Stainless Steel Head (Inline)
2C	CP-22-PS	Poly Head (Inline)
3	CP-24-2	Thrust Washer
4	CP-24-1	Stainless Steel Shaft
5	CP-23	Housing O-Ring
6	CP-25	Impeller
7	CP-26	Stainless Steel Rear Housing
8	CP-30	Rear Housing Screw (4)
9	CPMINI-27	Drive Magnet
10	CPMINI-28	Motor Connecting Bracket
11	CP-31	Motor Screw
12	TEFC Motor	115/230 VAC, 1/8 HP, 3500 RPM

PUMP DIMENSIONAL DRAWINGS

Center Inlet (TCPSS-IN Stainless Steel Head & TCPSS-IN Poly Head)



Center Inlet (TCPSS-CI Stainless Steel Head)



CHUGGER PUMPS
<http://www.chuggerpumps.com>
5044 Industrial Rd. Suite C
Farmingdale, NJ 07727
P: 800-810-1053 E: info@chuggerpumps.com