

**CHUGGER PUMP SS**

**MAX WATER TEMP 250°F**

CAUTION: DO NOT RUN PUMP DRY, IT WILL CAUSE DAMAGE NOT COVERED UNDER WARRANTY

**CHUGGER PUMP CO. WALL, NJ**



Chugger Pump is a booster pump designed to transfer hot and cold liquids. It is not a self priming pump - **DO NOT RUN DRY**

**General Specifications:**

Model	Construction	Max Flow	Max head	Port Sizes	Voltage	Max Temp
CPSS & CPCS	Stainless Steel	7gpm	18ft	½" NPT	115 or 230 VAC	250F
CPPP	Polysulfone	7gpm	18ft	½" NPT	115 or 230 VAC	250F

Note: Impeller is made from FDA Ryton/Teflon and Stainless Steel.

**Installation:**

The Chugger Pump is shipped ready for installation. Directional arrows on the pump head show fluid direction through the pump. The four screws on the pump head may be removed and the pump head can be rotated as required to fit your piping system.

The motor should be oiled yearly with 4-5 drops SAE20 weight non-detergent oil, do not over oil.

Follow all local electrical and safety codes and always disconnect power before performing work on or near the pump motor.

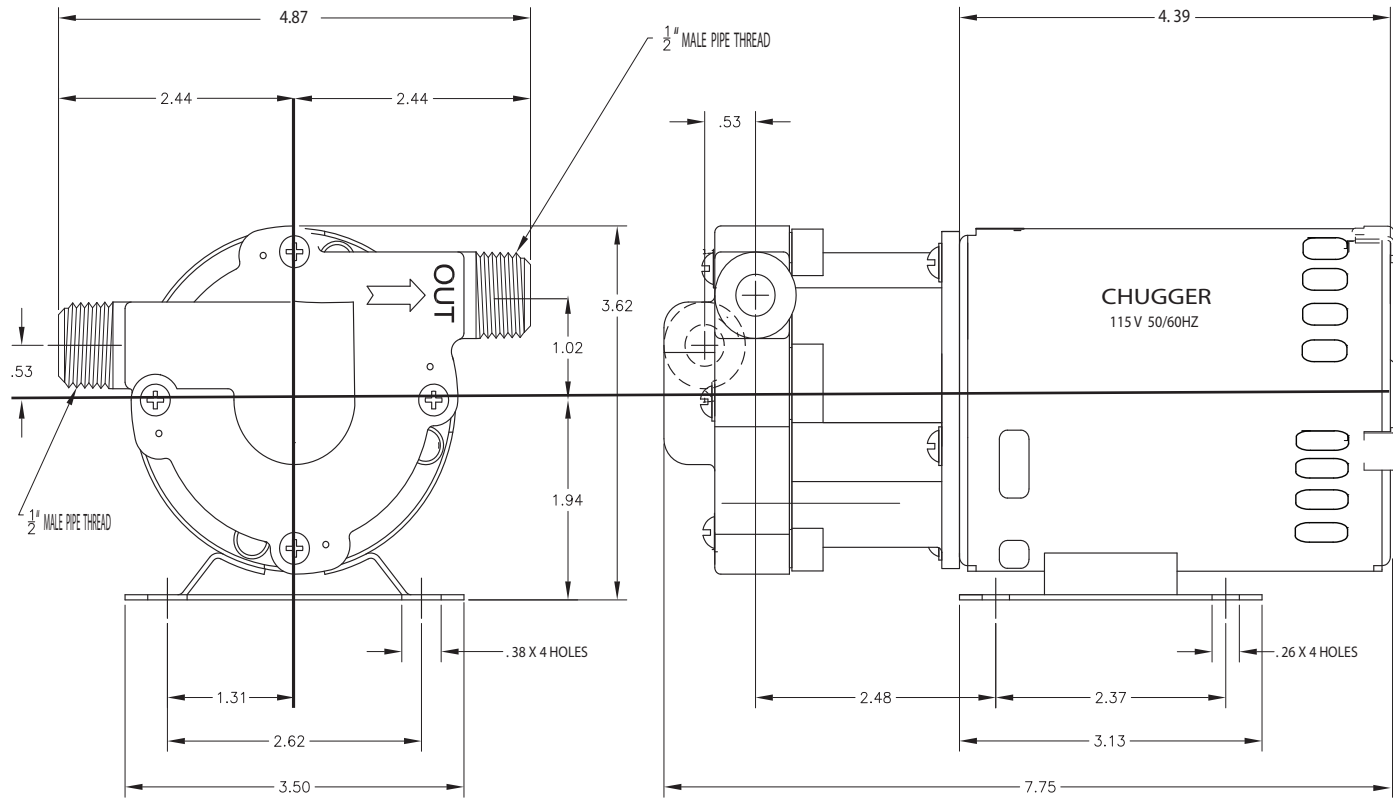
Limited Warranty: Chugger Pumps are warranted only against defects in workmanship for a period of 6 months from the date of purchase. **DO NOT RUN THE PUMP DRY**, it will not be covered under warranty. **A SQUEALING SOUND IS A WARNING YOU ARE RUNNING THE PUMP WITH NO FLUID!!! POWER OFF IMMEDIATELY!!! DO NOT PLUMB INLET TUBING OR CONNECTIONS WITH LESS THAN 1/2" FULL PORT FITTINGS. THIS WILL RESULT IN CAVITATION AND PROBLEMS WITH YOUR PUMP!!!**



- 1) 109821 - Housing Screw (4)
- 2) 109822 - Stainless Steel Front Housing
- 109819 - SS Center Inlet Front Housing
- 109820 - Plastic head
- 3) 109823 - Thrust Washer
- 4) 109824 - Housing O-Ring
- 5) 109825 - Impeller

- 6) 109826 - Stainless Steel Rear Housing
- 109826-1 - Rear Housing Disc
- 7) 109827 - Rear Housing Screw (4)
- 8) 109828 - Drive Magnet
- 9) 109829 - Motor Connecting Bracket
- 10) 109830 - Motor Screw
- 11) 109831 - Motor- 115VAC 1/20 HP

Chugger Pump Company  
 5044 Industrial Rd, Unit C  
 Farmingdale NJ 07727  
[info@chuggerpumps.com](mailto:info@chuggerpumps.com)  
 866-921-1340  
[www.chuggerpumps.com](http://www.chuggerpumps.com)



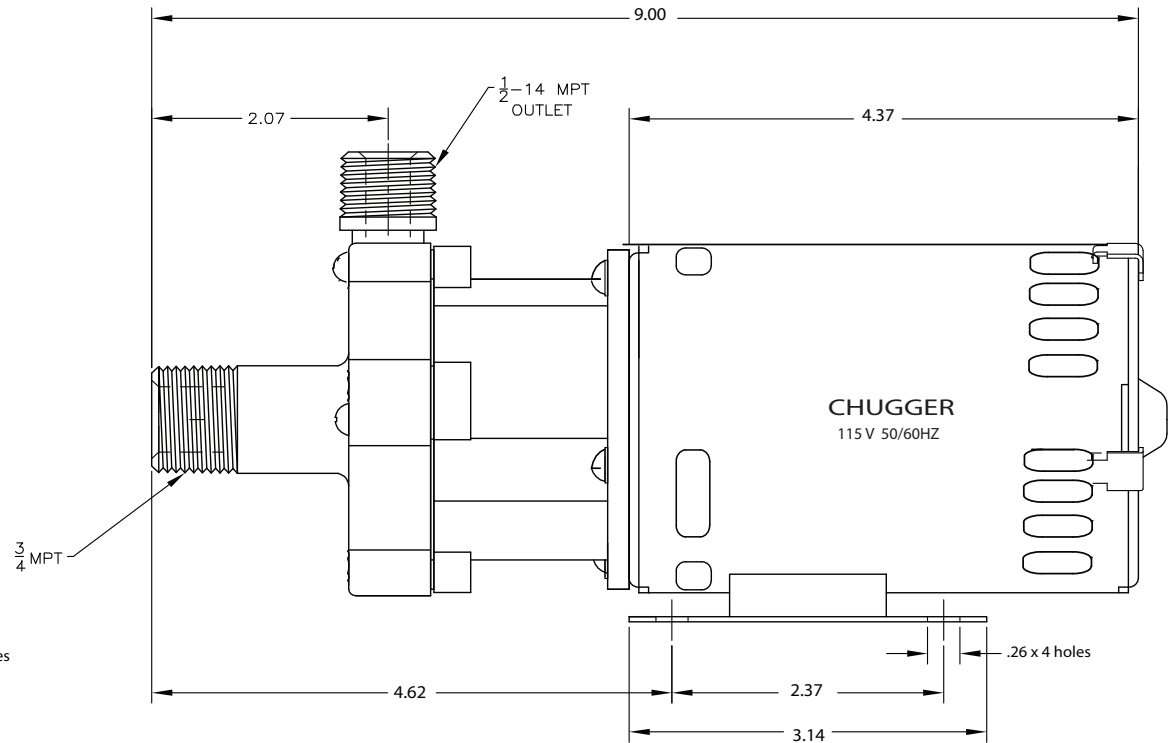
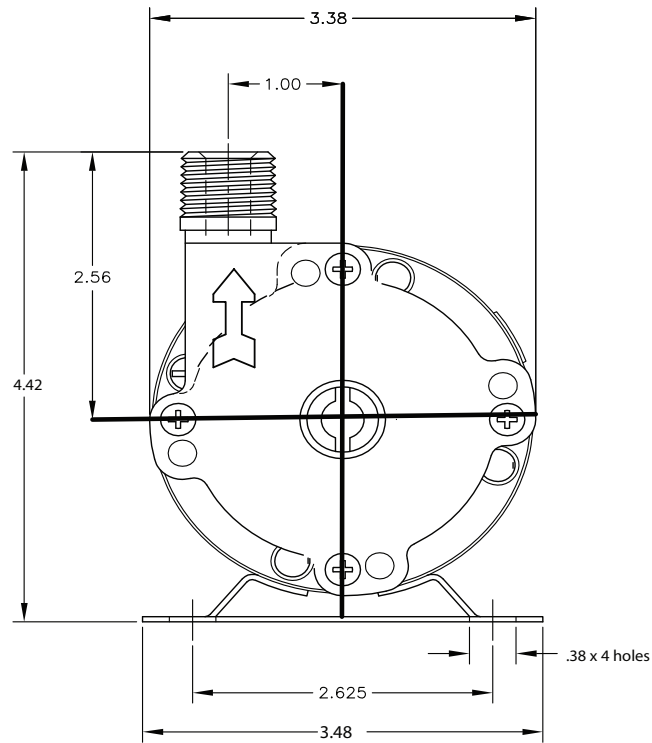
NOTE: 56" CORD ON  
RIGHT SIDE OF PUMP  
(LOOKING FROM REAR)

3500 RPM MOTOR

**CHUGGER PL INLINE  
CHUGGER SS INLINE  
ALL MEASUREMENTS IN INCHES**



1/2" MALE PIPE THREAD  
C14



3500 RPM MOTOR

NOTE: 56" CORD WITH PLUG  
ON THE RIGHT SIDE OF PUMP  
(LOOKING FROM REAR)

**CHUGGER SS CENTER**  
**ALL MEASUREMENTS IN INCHES**



CHUGGER SS INLINE  
CHUGGER SS CENTER  
CHUGGER PL INLINE  
115 VOLT 50/60 HZ

